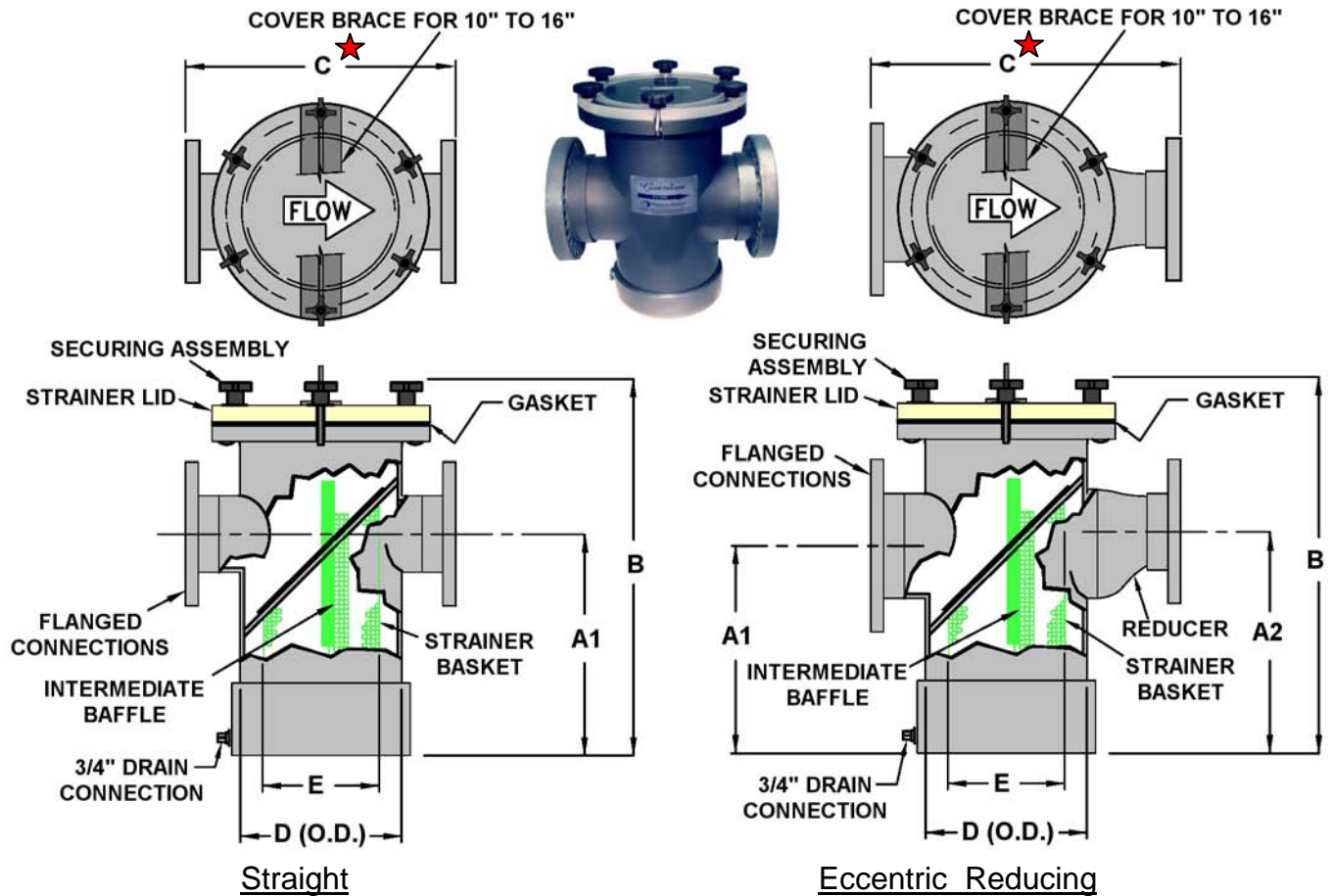


PVC Hair And Lint Strainers



Straight

Eccentric Reducing

Capacity And Dimension Chart

	Strainer Size	Strainer Part #	SS Basket Part #	Open Area Of Pipe (Sq.In.)	Open Area Of Basket (Sq.In.)	Ratio Of Open Area	MAX. Flow Rate (G.P.M.)	Dimensions						Approx Weight (lbs.)
								A1	A2	B	C	D	E	
Straight	3	NBPVCSTR03	NBBSK04EP	7	140	20.0:1	125	8 1/2	-	18	14 1/4	8 5/8	5 3/4	45
	4	NBPVCSTR04	NBBSK04EP	13	140	10.8:1	215	8 1/2	-	18	15 1/4	8 5/8	5 3/4	45
	6	NBPVCSTR06	NBBSK08EP	28	250	8.9:1	488	13 1/4	-	26	19 3/4	10 3/4	7 1/2	75
	8	NBPVCSTR08	NBBSK08EP	50	250	5.0:1	854	12 1/4	-	26	21 1/2	10 3/4	7 1/2	80
	10	NBPVCSTR10-M	NBBSK10EP	79	614	7.8:1	1344	21	-	36	29 1/2	16	11 3/4	155
	12	NBPVCSTR12-M	NBBSK10EP	113	614	5.4:1	1901	20	-	36	32	16	11 3/4	170
	14	NBPVCSTR14-M	NBBSK14EP	154	828	5.4:1	2295	22	-	39	T.B.D.	18	14	230
	16	NBPVCSTR16-M	NBBSK14EP	192	828	4.3:1	3012	22	-	40	T.B.D.	20	14	320
Eccentric Reducing	3 x 2	NBPVCSTE32	NBBSK04EP	7	140	20.0:1	125	8 1/2	9	18	17 3/4	8 5/8	5 3/4	45
	4 x 2	NBPVCSTE42	NBBSK04EP	13	140	10.8:1	138	8 1/2	9 1/2	18	18 3/4	8 5/8	5 3/4	45
	4 x 2 1/2	NBPVCSTE45	NBBSK04EP	13	140	10.8:1	198	8 1/2	9 1/4	18	19	8 5/8	5 3/4	45
	4 x 3	NBPVCSTE43	NBBSK04EP	13	140	10.8:1	215	8 1/2	8 1/2	18	19	8 5/8	5 3/4	45
	6 x 3	NBPVCSTE63	NBBSK08EP	28	250	8.9:1	310	13 1/4	14 3/4	26	25	10 3/4	7 1/2	75
	6 x 4	NBPVCSTE64	NBBSK08EP	28	250	8.9:1	488	13 1/4	14 1/4	26	25	10 3/4	7 1/2	75
	6 x 5	NBPVCSTE65	NBBSK08EP	28	250	8.9:1	488	13 1/4	13 3/4	26	25 1/2	10 3/4	7 1/2	75
	8 x 4	NBPVCSTE84	NBBSK08EP	50	250	5.0:1	537	12 1/4	14 1/4	26	27 1/2	10 3/4	7 1/2	80
	8 x 5	NBPVCSTE85	NBBSK08EP	50	250	5.0:1	854	12 1/4	13 3/4	26	27 1/2	10 3/4	7 1/2	80
	8 x 6	NBPVCSTE86	NBBSK08EP	50	250	5.0:1	854	12 1/4	13 1/4	26	27 1/2	10 3/4	7 1/2	80
	10 x 5	NBPVCSTE15-M	NBBSK10EP	79	614	7.8:1	854	21	23 1/2	36	36	16	11 3/4	155
	10 x 6	NBPVCSTE16-M	NBBSK10EP	79	614	7.8:1	1220	21	23	36	34 3/4	16	11 3/4	155
	10 x 8	NBPVCSTE18-M	NBBSK10EP	79	614	7.8:1	1344	21	22	36	35 1/4	16	11 3/4	160
	12 x 6	NBPVCSTE26-M	NBBSK10EP	113	614	5.4:1	1220	20	23	36	40 1/2	16	11 3/4	160
	12 x 8	NBPVCSTE28-M	NBBSK10EP	113	614	5.4:1	1901	20	22	36	39	16	11 3/4	165
	12 x 10	NBPVCSTE20-M	NBBSK10EP	113	614	5.4:1	1901	20	21	36	39 1/2	16	11 3/4	170
	14 x 8	NBPVCSTE48-M	NBBSK14EP	154	828	5.4:1	2140	22	24 3/4	39	T.B.D.	18	14	230
	14 x 10	NBPVCSTE40-M	NBBSK14EP	154	828	5.4:1	2295	22	23 5/8	39	T.B.D.	18	14	230
14 x 12	NBPVCSTE41-M	NBBSK14EP	154	828	5.4:1	2295	22	22 5/8	39	T.B.D.	18	14	230	
16 x 10	NBPVCSTE60-M	NBBSK14EP	192	828	4.3:1	3012	22	24 5/8	39	T.B.D.	20	14	320	
16 x 12	NBPVCSTE62-M	NBBSK14EP	192	828	4.3:1	3012	22	23 5/8	39	T.B.D.	20	14	320	

All dimensions are in inches.

(4) Securing assemblies for 3" & 4" sizes. (6) Securing assemblies for 5" & 8" sizes. (8) Securing assemblies for 10" and larger.

★ Dimension is approximate. NOT TO BE USED FOR CONSTRUCTION. As built dimension available upon fabrication.