



Clean
& Safe



Earth
Friendly

Neptune-Benson™ Accessory Handbook



Conserve



Pristine
Water





Neptune-Benson™ Accessory Handbook

T A B L E o f C O N T E N T S

AEGIS Anti-Entrapment Shield.....	1
Main Drains.....	1
Strainers.....	2-4
Reducers.....	5
Valves, Dominion-Butterfly.....	6
Valve Extensions.....	7
Anti-Vortex Plates.....	8
Surge Ladder.....	8
Valves, Diversion.....	9
Water Level Controllers.....	10
Gauges, Liquid Level.....	10
CO2 Units.....	10
Valves, Solenoid.....	10
Flanges.....	10
Pumps & Pump Bases.....	11
Soft Starts.....	12
Variable Frequency Drives.....	12
Legacy Sand Filters.....	13
Contact Information.....	14



AEGIS Anti-Entrapment Shield

* INCLUDES HARDWARE

3030AEC	ANTI-ENTRAPMENT COVER PLATE 30X30"
---------	------------------------------------

**Stainless Steel Main Drain
With AEGIS Anti-Entrapment Shield**



181818SSMD-AE-6	SS MAIN DRAIN WITH 18X18X18" AEGIS SHIELD 6" Flanged Connection Maximum Flow Rate @ 1.5 F.P.S. = 600 G.P.M.
242424SSMD-AE-8	SS MAIN DRAIN WITH 24X24X24" AEGIS SHIELD 8" Flanged Connection Maximum Flow Rate @ 1.5 F.P.S. = 600 G.P.M.

Recessed Step Assemblies

1902STPSSR	STEP RECESSED 2 STEP ASSEMBLY
1903STPSSR	STEP RECESSED 3 STEP ASSEMBLY
1904STPSSR	STEP RECESSED 4 STEP ASSEMBLY
1905STPSSR	STEP RECESSED 5 STEP ASSEMBLY
1906STPSSR	STEP RECESSED 6 STEP ASSEMBLY
190209S001	STEP RECESSED SINGLE FLANGED

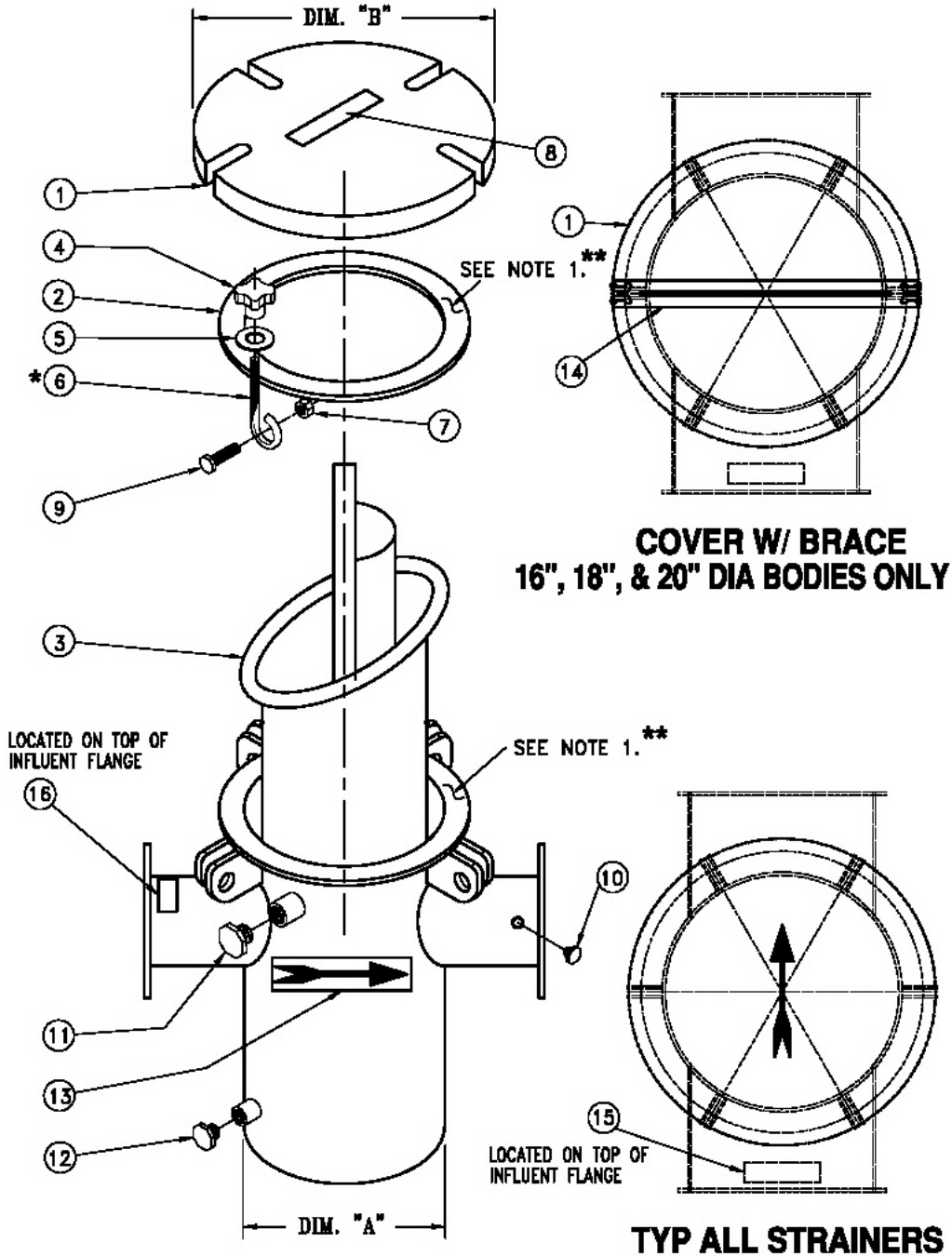


STRAINERS – FIBERGLASS & STAINLESS STEEL



STRAINER SIZE	FIBERGLASS PART NUMBER	STAINLESS STEEL PART NUMBER	S.S. BASKET PART NUMBER
3"	1500NBFG03R1	150NBSTL03	NBBSK04EP
3" x 2"	N/A	150NBSTE32	NBBSK04EP
4"	1500NBFG04R1	150NBSTL04	NBBSK04EP
4" x 2"	N/A	150NBSTE42	NBBSK04EP
4" x 2 1/2"	150NBFG425ER1	150NBSTE45	NBBSK04EP
4" x 3"	150NBFG43ER1	150NBSTE43	NBBSK04EP
5"	N/A	150NBSTL05	NBBSK08EP
6"	1500NBFG06R1	150NBSTL06	NBBSK08EP
6" x 3"	150NBFG63ER1	150NBSTE63	NBBSK08EP
6" x 4"	150NBFG64ER1	150NBSTE64	NBBSK08EP
6" x 5"	150NBFG65ER1	150NBSTE65	NBBSK08EP
8"	1500NBFG08R1	150NBSTL08	NBBSK08EP
8" x 4"	150NBFG84ER1	150NBSTE84	NBBSK08EP
8" x 5"	150NBFG85ER1	150NBSTE85	NBBSK08EP
8" x 6"	150NBFG86ER1	150NBSTE86	NBBSK08EP
10"	1500NBFG10R1	150NBSTL10-M	NBBSK10EP
10" x 5"	150NBFG15ER1	150NBSTE15-M	NBBSK10EP
10" x 6"	150NBFG16ER1	150NBSTE16-M	NBBSK10EP
10" x 8"	150NBFG18ER1	150NBSTE18-M	NBBSK10EP
12"	1500NBFG12R1	150NBSTL12-M	NBBSK10EP
12" x 6"	150NBFG26ER1	150NBSTE26-M	NBBSK10EP
12" x 8"	150NBFG28ER1	150NBSTE28-M	NBBSK10EP
12" x 10"	150NBFG20ER1	150NBSTE20-M	NBBSK10EP
14"	1500NBFG14R1	150NBSTL14-M	NBBSK14EP
14" x 8"	150NBFG48ER1	150NBSTE48-M	NBBSK14EP
14" x 10"	150NBFG40ER1	150NBSTE40-M	NBBSK14EP
14" x 12"	150NBFG42ER1	150NBSTE41-M	NBBSK14EP
16"	1500NBFG16R1	150NBSTL16-M	NBBSK14EP
16" x 10"	150NBFG60ER1	150NBSTE60-M	NBBSK14EP
16" x 12"	150NBFG62ER1	150NBSTE62-M	NBBSK14EP





*** MEASURED FROM TOP OF EYE BOLT
TO THE BOTTOM OF THREAD**

NOTE! PIPING ATTACHED TO THIS STRAINER MUST BE ADEQUATELY SUPPORTED AND RESTRAINED TO AVOID EXCESSIVE STRESSES TO THE STRAINER AND ASSOCIATED PUMPING EQUIPMENT.

BILL OF MATERIAL

ITEM	STRAINER SIZE	BODY SIZE DIM. "A"	COVER DIA. DIM. "B"	DESCRIPTION	PART NUMBER
1	3", 4"	8 5/8"	12 5/8"	COVER STRAINER	150NBCVR13R1
	5" – 8"	10 3/4"	14 3/4"	COVER STRAINER	150NBCVR48R1
	10", 12"	16"	20 1/2"	COVER STRAINER (8) hold downs	150NBCVR20R2
	14"	18"	23"	COVER STRAINER (8) hold downs	150NBCVR18R2
	16"	20"	25 1/2"	COVER STRAINER (8) hold downs	150NBCVR22R2
	10", 12"	16"	20 1/2"	COVER STRAINER (6) hold downs	150NBCVR20R1
	14"	18"	23"	COVER STRAINER (6) hold downs	150NBCVR18R1
	16"	20"	25 1/2"	COVER STRAINER (6) hold downs	150NBCVR22R1
2	3", 4"	8 5/8"	12 5/8"	GASKET STRAINER 10.125"OD X 8.75"ID	150NBGSK08R1
	5" – 8"	10 3/4"	14 3/4"	GASKET STRAINER 12.25"OD X 10.875"ID	150NBGSK48R1
	10", 12"	16"	20 1/2"	GASKET STRAINER 18.00"OD X 16.375"ID	150NBGSK16R1
	14"	18"	23"	GASKET STRAINER 20.50"OD X 18.25"ID	150NBGSK18R1
	16"	20"	25 1/2"	GASKET STRAINER 22.75"OD X 20.25"ID	150NBGSK20R1
3	3", 4"	8 5/8"	12 5/8"	BASKET NEP-BEN H&L	NBBSK04EP
	5" – 8"	10 3/4"	14 3/4"	BASKET NEP-BEN H&L	NBBSK08EP
	10", 12"	16"	20 1/2"	BASKET NEP-BEN H&L	NBBSK10EP
	14"	18"	23"	BASKET NEP-BEN H&L	NBBSK14EP
	16"	20"	25 1/2"	BASKET NEP-BEN H&L	NBBSK14EP
4			KNOB SECURING	11210	
5			WASHER .375" X 1.25" OD X .125" THK NYLON	3.8PLAWASH	
6			EYEBOLT 3/8" X 3 3/4"	1509489T73	
7			NUT HEX .500 NYLON SELF LOCK	654S08LNUT	
8			LABEL NEPTUNE BENSON	LABELNB1x4.5	
9			BOLT HEXHD 0.500 X 1.5-13UNC	652S080150	
10			PLUG PIPE 0.25" SCH.40 PVC	210450-002	
11			PLUG 1.50" SCH.40 PVC MPT	210450-015	
12			PLUG 0.75" SCH.40 PVC MPT	210450-007	
13			LABEL STRAINER FLOW L&R SET	LABELSTRNARO	
14	10", 12"	16"	20 1/2"	BRACE FOR COVER	BRACESTRCVR16
	14"	18"	23"	BRACE FOR COVER	BRACESTRCVR18
	16"	20"	25 1/2"	BRACE FOR COVER	BRACESTRCVR20
15			LABEL PIPING NOTE		

NOTE:

1. A lubricant such as petroleum jelly, applied to these surfaces, will enhance gasket sealing capability.
2. Measure cover O.D. and provide that information to Neptune~Benson with knob quantity when ordering replacements.
3. Older strainers may require a 6 hold down cover. Call for pricing.





CONCENTRIC		
REDUCER SIZE	STAINLESS STEEL	PVC
3" x 2"	15003X2CNSPC	3X2CRPVC
3" x 2.5"	15003X25CNSPC	3X2.5CRPVC
4" x 2"	15004X2CNSPC	4X2CRPVC
4" x 2.5"	1504X25CNSPC	4X2.5CRPVC
4" x 3"	15004X3CNSPC	4X3CRPVC
5" x 4"	15005X4CNSPC	5X4CRPVC
6" x 2.5"	1506X25CNSPC	N/A
6" x 3"	15006X3CNSPC	6X3CRPVC
6" x 4"	15006X4CNSPC	6X4CRPVC
6" x 5"	15006X5CNSPC	6X5CRPVC
8" x 3"	15008X3CNSPC	N/A
8" x 4"	15008X4CNSPC	8X4CRPVC
8" x 5"	15008X5CNSPC	8X5CRPVC
8" x 6"	15008X6CNSPC	8X6CRPVC
10" x 5"	15010X5CNSPC	10X5CRPVC
10" x 6"	15010X6CNSPC	10X6CRPVC
10" x 8"	15010X8CNSPC	10X8CRPVC
12" x 6"	15012X6CNSPC	12X6CRPVC
12" x 8"	15012X8CNSPC	12X8CRPVC
12" x 10"	1512X10CNSPC	12X10CRPVC
14" x 8"	15014X8CNSPC	N/A
14" x 10"	15014X10CNSPC	14X10CRPVC
14" x 12"	1514X12CNSPC	N/A
16" x 8"	15016X8CNSPC	N/A
16" x 10"	1516X10CNSPC	N/A
16" x 12"	1516X12CNSPC	N/A

ECCENTRIC		
REDUCER SIZE	STAINLESS STEEL	PVC
3" x 2"	15003X2ECSPC	3X2ERPVC
3" x 2.5"	1503X25ECSPC	3X2.5ERPVC
4" x 2"	15004X2ECSPC	4X2ERPVC
4" x 2.5"	1504X25ECSPC	4X2.5ERPVC
4" x 3"	15004X3ECSPC	4X3ERPVC
5" x 4"	15005X4ECSPC	5X4ERPVC
6" x 2.5"	1506X25ECSPC	N/A
6" x 3"	15006X3ECSPC	6X3ERPVC
6" x 4"	15006X4ECSPC	6X4ERPVC
6" x 5"	15006X5ECSPC	6X5ERPVC
8" x 3"	15008X3ECSPC	N/A
8" x 4"	15008X4ECSPC	8X4ERPVC
8" x 5"	15008X5ECSPC	8X5ERPVC
8" x 6"	15008X6ECSPC	8X6ERPVC
10" x 5"	15010X5ECSPC	10X5ERPVC
10" x 6"	15010X6ECSPC	10X6ERPVC
10" x 8"	15010X8ECSPC	10X8ERPVC
12" x 6"	15012X6ECSPC	12X6ERPVC
12" x 8"	15012X8ECSPC	12X8ERPVC
12" x 10"	1512X10ECSPC	12X10ERPVC
14" x 8"	1514X08ECSPC	14X8ERPVC
14" x 10"	1514X10ECSPC	14X10ERPVC
14" x 12"	1514X12ECSPC	N/A
16" x 8"	1516X08ECSPC	N/A
16" x 10"	1516X10ECSPC	N/A
16" x 12"	1516X12ECSPC	N/A



VALVE SIZES	BARE STEM S.S. DISC	BARE STEM RILSAN DISC FULL LUG	BARE STEM RILSAN DISC	LEVER OPER S.S. DISC	LEVER OPER RILSAN DISC	GEAR OP S.S. DISC	GEAR OP RILSAN DISC
2"	520020R037	N/A	517020R037	518020R037	516020R037	519020SGOP	5190200GOP
2.5"	520025R037	517025R037FL	517025R037	518025R037	516025R037	519025SGOP	5190250GOP
3"	520030R037	517030R037FL	517030R037	518030R037	516030R037	519030SGOP	5190300GOP
4"	520040R037	517040R037FL	517040R037	518040R037	516040R037	519040SGOP	5190400GOP
5"	N/A	N/A	517050R037	N/A	516050R037	N/A	N/A
6"	520060R037	517060R037FL	517060R037	518060R037	516060R037	519060SGOP	5190600GOP
8"	520080R037	517080R037FL	517080R037	518080R037	516080R037	519080SGOP	5190800GOP
10"	520100R037	517010R037FL	517100R037	N/A	N/A	519100SGOP	5191000GOP
12"	520120R037	517012R037FL	517120R037	N/A	N/A	519120SGOP	5191200GOP
14"	N/A	517014R037FL	517140R037	N/A	N/A	N/A	5191400GOP
16"	N/A	N/A	517160R037	N/A	N/A	N/A	N/A
18"	N/A	N/A	517180R037	N/A	N/A	N/A	N/A



VALVE SIZES	ELECTRIC OP S.S. DISC	ELECTRIC OP RILSAN DISC	PNEUMATIC ACTUATOR RILSAN DISC
2"	519020SELE	5190200ELE	N/A
2.5"	519025SELE	5190250ELE	N/A
3"	519030SELE	5190300ELE	11657
4"	519040SELE	5190400ELE	11658
6"	519060SELE	5190600ELE	11659
8"	519080SELE	5190800ELE	11660
10"	519100SELE	5191000ELE	11661
12"	519120SELE	5191200ELE	11662
14"	N/A	N/A	11663
16"	N/A	N/A	11886



Valve Extensions for Tee Handles

514VLVEX03	VALVE EXT 2"-3"DOM	T304 SS 1'-6' FOR T-HNDL
514VLVEX03X	VALVE EXT 2"-3"DOM	T304 SS 7'-10' FOR T-HNDL
514VLVEX04	VALVE EXT 4"DOM 3"-4"VIC	T304 SS 1'-6' FOR T-HNDL
514VLVEX04X	VALVE EXT 4"DOM 3"-4"VIC	T304 SS 7'-10' FOR T-HNDL
514VLVEX08	VALVE EXT 6"-8"DOM 6"VIC	T304 SS 1'-6' FOR T-HNDL
514VLVEX08X	VALVE EXT 6"-8"DOM 6"VIC	T304 SS 7'-10' FOR T-HNDL
514VLVEX12	VALVE EXT 10"-12"DOM 8"-12"VIC	T304 SS 1'-6' FOR T-HNDL
514VLVEX12X	VALVE EXT 10"-12"DOM 8"-12"VIC	T304 SS 7'-10' FOR T-HNDL



Valve Extensions for Lever, Gear and Electric Operated Valves

514ROPEXT2	VALVE EXT 2"-3"DOM	T304 SS 1'-6' FOR LO/GO/EO
514ROPEXT2X	VALVE EXT 2"-3"DOM	T304 SS 7'-10' FOR LO/GO/EO
514ROPEXT4	VALVE EXT 4"DOM 3"-4"VIC	T304 SS 1'-6' FOR LO/GO/EO
514ROPEXT4X	VALVE EXT 4"DOM 3"-4"VIC	T304 SS 7'-10' FOR LO/GO/EO
514ROPEXT8	VALVE EXT 6"-8"DOM 6"VIC	T304 SS 1'-6' FOR LO/GO/EO
514ROPEXT8X	VALVE EXT 6"-8"DOM 6"VIC	T304 SS 7'-10' FOR LO/GO/EO
514ROPEXT12	VALVE EXT 10"-12"DOM 8"-12"VIC	T304 SS 1'-6' FOR LO/GO/EO
514ROPEXT12X	VALVE EXT 10"-12"DOM 8"-12"VIC	T304 SS 7'-10' FOR LO/GO/EO
514ROPEXT14	VALVE EXT 14" DOM	T304 SS 1' -6' FOR LO/GO/EO
514ROPEXT14X	VALVE EXT 14" DOM	T304 SS 7' -10' FOR LO/GO/EO
514ROPEXT16	VALVE EXT 16" DOM	T304 SS 7' -10' FOR LO/GO/EO
514ROPEXT18	VALVE EXT 18" DOM	T304 SS 1' -6' FOR LO/GO/EO



Deck Socket

19038210AM	DECK SLEEVE W/COVER	T304 STAINLESS STEEL
------------	---------------------	----------------------

Tee Handle

514TEEHNDL	TEE HANDLE FOR VALVE EXTENSION	T304 S.S. 18" X 24"
------------	--------------------------------	---------------------



Remotes for Tee Handles

11911	VALVE EXT 2"-3"DOM	T304 SS 1'-6' REMOTE F/THANDLE
11912	VALVE EXT 2"-3"DOM	T304 SS 7'-10' REMOTE F/THANDL
11913	VALVE EXT 4"DOM 3"-4"VIC	T304 SS 1'-6' REMOTE F/THANDLE
11914	VALVE EXT 4"DOM 3"-4"VIC	T304 SS 7'-10' REMOTE F/THANDL
11915	VALVE EXT 6"-8"DOM 6"VIC	T304 SS 1'-6' REMOTE F/THANDLE
11916	VALVE EXT 6"-8"DOM 6"VIC	T304 SS 7'-10' REMOTE F/THANDL
11917	VALVE EXT 10"-12"DOM 8"-12"VIC	T304 SS 1'-6' REMOTE F/THANDLE
11919	VALVE EXT 10"-12"DOM 8"-12"VIC	T304 SS 7'-10' REMOTE F/THANDL
11921	VALVE EXT 14" DOM	T304 SS 1'-6' REMOTE F/THANDLE
11922	VALVE EXT 14" DOM	T304 SS 7' -10' REMOTE F/THNDL
11923	VALVE EXT 16" DOM	T304 SS 7'-10' REMOTE F/THANDL
11924	VALVE EXT 18" DOM	T304 SS 1'-6' REMOTE F/THANDLE





Anti-Vortex Plates / PVC

AVPLATE3PVCKIT	ANTI-VORTEX PLT 3"SUCTION PVC
AVPLATE4PVCKIT	ANTI-VORTEX PLT 4"SUCTION PVC
AVPLATE6PVCKIT	ANTI-VORTEX PLT 6"SUCTION PVC
AVPLATE8PVCKIT	ANTI-VORTEX PLT 8"SUCTION PVC
AVPLATE10PVCKIT	ANTI-VORTEX PLT 10"SUCTION PVC
AVPLATE12PVCKIT	ANTI-VORTEX PLT 12"SUCTION PVC
AVPLATE14PVCKIT	ANTI-VORTEX PLT 14"SUCTION PVC

* INCLUDES HARDWARE

Anti-Vortex Plates / Stainless Steel

AVPLATE3SSKIT	ANTI-VORTEX PLT 3"SUCTION SS
AVPLATE4SSKIT	ANTI-VORTEX PLT 4"SUCTION SS
AVPLATE6SSKIT	ANTI-VORTEX PLT 6"SUCTION SS
AVPLATE8SSKIT	ANTI-VORTEX PLT 8"SUCTION SS
AVPLATE10SSKIT	ANTI-VORTEX PLT 10"SUCTION SS
AVPLATE12SSKIT	ANTI-VORTEX PLT 12"SUCTION SS
AVPLATE14SSKIT	ANTI-VORTEX PLT 14"SUCTION SS

* INCLUDES HARDWARE



Surge Tank Ladders



160SSTL02R	LADDER SURGE TANK 2 RUNG
160SSTL03R	LADDER SURGE TANK 3 RUNG
160SSTL04R	LADDER SURGE TANK 4 RUNG
160SSTL05R	LADDER SURGE TANK 5 RUNG
160SSTL06R	LADDER SURGE TANK 6 RUNG
160SSTL07R	LADDER SURGE TANK 7 RUNG
160SSTL08R	LADDER SURGE TANK 8 RUNG
160SSTL09R	LADDER SURGE TANK 9 RUNG
160SSTL10R	LADDER SURGE TANK 10 RUNG
160SSTL11R	LADDER SURGE TANK 11 RUNG
160SSTL12R	LADDER SURGE TANK 12 RUNG
160SSTL13R	LADDER SURGE TANK 13 RUNG
160SSTL14R	LADDER SURGE TANK 14 RUNG



Diversion Valves / In-Line

DVINLINEPVC04	VALVE DIVERSION IN-LINE 4"PVC	1 FLOAT
DVINLINEPVC04D	VALVE DIVERSION IN-LINE 4"PVC	2 FLOAT
DVINLINEPVC06	VALVE DIVERSION IN-LINE 6"PVC	1 FLOAT
DVINLINEPVC06D	VALVE DIVERSION IN-LINE 6"PVC	2 FLOAT
DVINLINEPVC08	VALVE DIVERSION IN-LINE 8"PVC	1 FLOAT
DVINLINEPVC08D	VALVE DIVERSION IN-LINE 8"PVC	2 FLOAT
DVINLINEPVC10D	VALVE DIVERSION IN-LINE 10"PVC	2 FLOAT
DVINLINEPVC12D	VALVE DIVERSION IN-LINE 12"PVC	2 FLOAT



Diversion Valves / YMCA

DVYMCAPVC04	VALVE DIVERSION YMCA 4" PVC	1 FLOAT
DVYMCAPVC04D	VALVE DIVERSION YMCA 4" PVC	2 FLOAT
DVYMCAPVC06	VALVE DIVERSION YMCA 6" PVC	1 FLOAT
DVYMCAPVC06D	VALVE DIVERSION YMCA 6" PVC	2 FLOAT
DVYMCAPVC08	VALVE DIVERSION YMCA 8" PVC	1 FLOAT
DVYMCAPVC08D	VALVE DIVERSION YMCA 8" PVC	2 FLOAT
DVYMCAPVC10D	VALVE DIVERSION YMCA 10" PVC	2 FLOAT
DVYMCAPVC12D	VALVE DIVERSION YMCA 12" PVC	2 FLOAT
DVYMCAPVC14D	VALVE DIVERSION YMCA 14" PVC	2 FLOAT
DVYMCAPVC18D	VALVE DIVERSION YMCA 18" PVC	2 FLOAT

Diversion Valves / In-Line with Dual Vertical Float Arms

DVERTPVC04	VALVE DIVERSION IN-LINE 4"	PVC W/2 VERT FLOAT ARMS
DVERTPVC06	VALVE DIVERSION IN-LINE 6"	PVC W/2 VERT FLOAT ARMS
DVERTPVC08	VALVE DIVERSION IN-LINE 8"	PVC W/2 VERT FLOAT ARMS
DVERTPVC10	VALVE DIVERSION IN-LINE 10"	PVC W/2 VERT FLOAT ARMS
DVERTPVC12	VALVE DIVERSION IN-LINE 12"	PVC W/2 VERT FLOAT ARMS
DVERTPVC14	VALVE DIVERSION IN-LINE 14"	PVC W/2 VERT FLOAT ARMS
DVERTPVC16	VALVE DIVERSION IN-LINE 16"	PVC W/2 VERT FLOAT ARMS
DVERTPVC18	VALVE DIVERSION IN-LINE 18"	PVC W/2 VERT FLOAT ARMS
DVERTPVC20	VALVE DIVERSION IN-LINE 20"	PVC W/2 VERT FLOAT ARMS



Liquid Level Gauges



150NBLLG-WLC	GAUGE LIQUID LEVEL ASSEMBLY	.75" FOR WLC
150NBLLG-2	GAUGE LIQUID LEVEL ASSEMBLY	.75" D UP TO 60" LONG



Water Level Controllers

WLC1003PKG	WLC – 100 WITH SENS CHAMBER PROBES & PANEL
WLC2001PKG	WLC – 200 WITH STANDPIPE PROBES AND PANEL
WLC3001PKG	WLC – 300 WITH SENS CHAMBER PROBES AND PANEL
WLC4001PKG	WLC – 400 WITH STANDPIPE PROBES AND PANEL

Solenoid Slowclose Valves



12468	VALVE SOLENOID SLOWCLOSE .75"
12469	VALVE SOLENOID SLOWCLOSE 1"
12470	VALVE SOLENOID SLOWCLOSE 1.5"
12471	VALVE SOLENOID SLOWCLOSE 2"

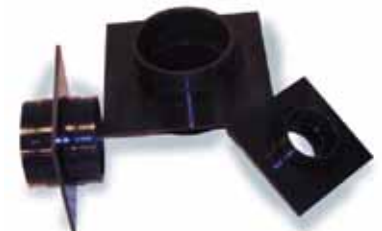
CO₂ and Accessories



11473	CO ₂ FEED UNIT WITH BRACKET & DIFFUSER
11471	CO ₂ SINGLE TANK REGULATOR
145NBC02DF	CO ₂ DIFFUSER ASSEMBLY

PVC No Leak Flanges

17075NLF80	FLANGE NO LEAK 0.75"	SCH 80 PVC SKT X SKT
17001NLF80	FLANGE NO LEAK 1"	SCH 80 PVC SKT X SKT
17015NLF80	FLANGE NO LEAK 1.50"	SCH 80 PVC SKT X SKT
17002NLF80	FLANGE NO LEAK 2"	SCH 80 PVC SKT X SKT
17003NLF80	FLANGE NO LEAK 3"	SCH 80 PVC SKT X SKT
17004NLF80	FLANGE NO LEAK 4"	SCH 80 PVC SKT X SKT
17006NLF80	FLANGE NO LEAK 6"	SCH 80 PVC SKT X SKT
17008NLF80	FLANGE NO LEAK 8"	SCH 80 PVC SKT X SKT
17010NLF80	FLANGE NO LEAK 10"	SCH 80 PVC SKT X SKT
17012NLF80	FLANGE NO LEAK 12"	SCH 80 PVC SKT X SKT
17014NLF80	FLANGE NO LEAK 14"	SCH 80 PVC SKT X SKT





Pump Epoxy

10063	EPOXY LINING GRISWOLD R2
10064	EPOXY LINING GRISWOLD R3
10065	EPOXY LINING GRISWOLD R4
10066	EPOXY LINING GRISWOLD R6
10067	EPOXY LINING GRISWOLD R8

TEFC

10050	TEFC MOTOR FOR GRISWOLD 2 HP
10051	TEFC MOTOR FOR GRISWOLD 3 HP
10052	TEFC MOTOR FOR GRISWOLD 5 HP
10053	TEFC MOTOR FOR GRISWOLD 7.5HP
10054	TEFC MOTOR FOR GRISWOLD 10 HP
10055	TEFC MOTOR FOR GRISWOLD 15 HP
10056	TEFC MOTOR FOR GRISWOLD 20 HP
10057	TEFC MOTOR FOR GRISWOLD 25 HP
10058	TEFC MOTOR FOR GRISWOLD 30 HP
10059	TEFC MOTOR FOR GRISWOLD 40 HP
10060	TEFC MOTOR FOR GRISWOLD 50 HP
10061	TEFC MOTOR FOR GRISWOLD 60 HP
10062	TEFC MOTOR FOR GRISWOLD 75 HP



Pump Bases

12012	BASE PUMP 2-10 HP ADJ 7"-11"	TYPE A - POWDER COATED
12013	BASE PUMP 2-10 HP ADJ 12"-24"	TYPE B - POWDER COATED
12014	BASE PUMP 15-75 HP ADJ 7"-11"	TYPE A - POWDER COATED
12016	BASE PUMP 15-75 HP ADJ 12"-24"	TYPE B - POWDER COATED

Griswold End Suction Centrifugal Pumps

NBR2FH2	PUMP 2HP 3PH NBR2FH 3" X 2"	TRI V GRISWOLD
NBR2FH3	PUMP 3HP 3PH NBR2FH 3" X 2"	TRI V GRISWOLD
NBR3EM3	PUMP 3HP 3PH NBR3EM 4" X 3"	TRI V GRISWOLD
NBR3FM3	PUMP 3HP 3PH NBR3FM 4" X 3"	TRI V GRISWOLD
NBR4FM3	PUMP 3HP 3PH NBR4FM 5" X 4"	TRI V GRISWOLD
NBR2GM5	PUMP 5HP 3PH NBR2GM 3" X 2"	TRI V GRISWOLD
NBR3EM5	PUMP 5HP 3PH NBR3EM 4" X 3"	TRI V GRISWOLD
NBR3FM5	PUMP 5HP 3PH NBR3FM 4" X 3"	TRI V GRISWOLD
NBR4FH5	PUMP 5HP 3PH NBR4FH 5" X 4"	TRI V GRISWOLD
NBR4FM5	PUMP 5HP 3PH NBR4FM 5" X 4"	TRI V GRISWOLD
NBR3GL5	PUMP 5HP 3PH NBR6FL 4"X3"	TRI V GRISWOLD
NBR3EM7.5	PUMP 7.5HP 3PH NBR3EM 5" X 4"	TRI V GRISWOLD
NBR4FH7.5	PUMP 7.5HP 3PH NBR4FH 5" X 4"	TRI V GRISWOLD
NBR4FM7.5	PUMP 7.5HP 3PH NBR4FM 5" X 4"	TRI V GRISWOLD
NBR6FL7.5	PUMP 7.5HP 3PH NBR6FL 8" X 6"	TRI V GRISWOLD
NBR4FH10	PUMP 10HP 3PH NBR4FH 5" X 4"	TRI V GRISWOLD
NBR4FM10	PUMP 10HP 3PH NBR4FM 5" X 4"	TRI V GRISWOLD
NBR6FL10	PUMP 10HP 3PH NBR6FL 8" X 6"	TRI V GRISWOLD
NBR6FM10	PUMP 10HP 3PH NBR6FM 8" X 6"	TRI V GRISWOLD
NBR3GL15	PUMP 15HP 3PH NBR3GL 4" X 3"	TRI V GRISWOLD
NBR4EM15	PUMP 15HP 3PH NBR4EM 5" X 4"	TRI V GRISWOLD
NBR4FH15	PUMP 15HP 3PH NBR4FH 5" X 4"	TRI V GRISWOLD
NBR6FL15	PUMP 15HP 3PH NBR6FL 8"X6"	TRI V GRISWOLD
NBR6FM15	PUMP 15HP 3PH NBR6FM 8" X 6"	TRI V GRISWOLD
NBRL8FH15	PUMP 15HP 3PH NBRL8FH 8" X 8"	TRI V GRISWOLD
NBR5EM20	PUMP 20HP 3PH NBR5EM 6" X 5"	TRI V GRISWOLD
NBR6FL20	PUMP 20HP 3PH NBR6FL 8" X 6"	TRI V GRISWOLD
NBR6FM20	PUMP 20HP 3PH NBR6FM 8" X 6"	TRI V GRISWOLD
NBRL8FH20	PUMP 20HP 3PH NBRL8FH 8" X 8"	TRI V GRISWOLD
NBR5EM25	PUMP 25HP 3PH NBR5EM 6" X 5"	TRI V GRISWOLD
NBR6FL25	PUMP 25HP 3PH NBR6FL 8" X 6"	TRI V GRISWOLD
NBR6FM25	PUMP 25HP 3PH NBR6FM 8" X 6"	TRI V GRISWOLD
NBRL8FH25	PUMP 25HP 3PH NBRL8FH 8" X 8"	TRI V GRISWOLD
NBR6EM30	PUMP 30HP 3PH NBR6EM 8" X 6"	TRI V GRISWOLD
NBR6FH30	PUMP 30HP 3PH NBR6FH 8" X 6"	TRI V GRISWOLD
NBR6FM30	PUMP 30HP 3PH NBR6FM 8" X 6"	TRI V GRISWOLD
NBR6EM40	PUMP 40HP 3PH NBR6EM 8" X 6"	TRI V GRISWOLD
NBR6FH40	PUMP 40HP 3PH NBR6FH 8" X 6"	TRI V GRISWOLD
NBR8FH40	PUMP 40HP 3PH NBR8FH 8" X 8"	TRI V GRISWOLD
NBR8FH50	PUMP 50HP 3PH NBR8FH 8" X 8"	TRI V GRISWOLD
NBR8FH60	PUMP 60HP 3PH NBR8FH 8" X 8"	TRI V GRISWOLD
NBR8FH75	PUMP 75HP 3PH NBR8FH 8" X 8"	TRI V GRISWOLD



Soft Start Motor Starters



12026	MOTOR SOFTSTART 18 AMPS	5/208 5/240 10/380 10/480
12027	MOTOR SOFTSTART 28 AMPS	7.5/208 10/240 15/380 20/240
12028	MOTOR SOFTSTART 34 AMPS	10/208 10/240 20/380 25/480
12029	MOTOR SOFTSTART 42 AMPS	10/208 15/240 25/380 30/480
12030	MOTOR SOFTSTART 54 AMPS	15/208 20/240 30/380 40/480
12031	MOTOR SOFTSTART 68 AMPS	20/208 25/240 40/380 50/480
12032	MOTOR SOFTSTART 80 AMPS	25/208 30/240 50/380 60/480
12033	MOTOR SOFTSTART 104 AMPS	30/208 40/240 60/380 75/480
12034	MOTOR SOFTSTART 130 AMPS	40/208 50/240 75/380 100/480
12035	MOTOR SOFTSTART 156 AMPS	50/208 60/240 100/380 125/480
12036	MOTOR SOFTSTART 192 AMPS	60/208 75/240 125/380 150/480
12037	MOTOR SOFTSTART 248 AMPS	75/208 100/240 150/380 200/480

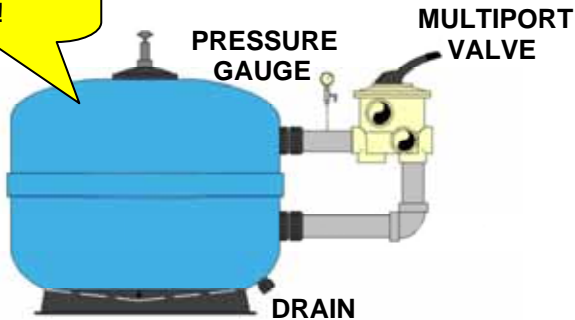
Variable Frequency Drive (VFD)

11598	VFD 208/230V 5 HP 3 PH	NEMA 1 ENCLOSURE
11599	VFD 208/230V 7.5 HP 3 PH	NEMA 1 ENCLOSURE
11600	VFD 208/230V 10 HP 3 PH	NEMA 1 ENCLOSURE
11601	VFD 208/230V 15 HP 3 PH	NEMA 1 ENCLOSURE
11602	VFD 208/230V 20 HP 3 PH	NEMA 1 ENCLOSURE
11603	VFD 208/230V 25 HP 3 PH	NEMA 1 ENCLOSURE
11604	VFD 208/230V 30 HP 3 PH	NEMA 1 ENCLOSURE
11605	VFD 208/230V 40 HP 3 PH	NEMA 1 ENCLOSURE
11606	VFD 208/230V 50 HP 3 PH	NEMA 1 ENCLOSURE
11607	VFD 208/230V 60 HP 3 PH	NEMA 1 ENCLOSURE
11608	VFD 208/230V 75 HP 3 PH	NEMA 1 ENCLOSURE
11609	VFD 380/460V 5 HP 3 PH	NEMA 1 ENCLOSURE
11610	VFD 380/460V 7.5 HP 3 PH	NEMA 1 ENCLOSURE
11611	VFD 380/460V 10 HP 3 PH	NEMA 1 ENCLOSURE
11612	VFD 380/460V 15 HP 3 PH	NEMA 1 ENCLOSURE
11613	VFD 380/460V 20 HP 3 PH	NEMA 1 ENCLOSURE
11614	VFD 380/460V 25 HP 3 PH	NEMA 1 ENCLOSURE
11615	VFD 380/460V 30 HP 3 PH	NEMA 1 ENCLOSURE
11616	VFD 380/460V 40 HP 3 PH	NEMA 1 ENCLOSURE
11617	VFD 380/460V 50 HP 3 PH	NEMA 1 ENCLOSURE
11618	VFD 380/460V 60 HP 3 PH	NEMA 1 ENCLOSURE
11619	VFD 380/460V 75 HP 3 PH	NEMA 1 ENCLOSURE



- Manual and automatic backwash
- Combination media dump port/tank drain
- Commercial quality SCH 80 PVC internals
- Reinforced with additional fiberglass for extra, heavy-duty construction - 50% thicker tank shell
- Redesigned overdrain laterals for even better hydraulic performance

36" Filters fit through standard doors!



Filter Part Number	Filter Model Number	Connection Size	Filter Area (SF)
36CCFG2AUTO	36CCFG-3	2	6.5
36CCFG2MAN	36CCFG-3	2	6.5
36CCFG3AUTO	36CCFG-3	3	6.5
36CCFG3MAN	36CCFG-3	3	6.5
42CCFG3AUTO	42CCFG-3	3	9.0
42CCFG3MAN	42CCFG-3	3	9.0
48CCFG3AUTO	48CCFG-3	3	11.8
48CCFG3MAN	48CCFG-3	3	11.8



36" & 42" Legacy has a 6"x9" access port.



Auto Multi-port valve



48" Legacy has a 14"x18" access port.



2" Multi-port valve



3" Multi-port valve



