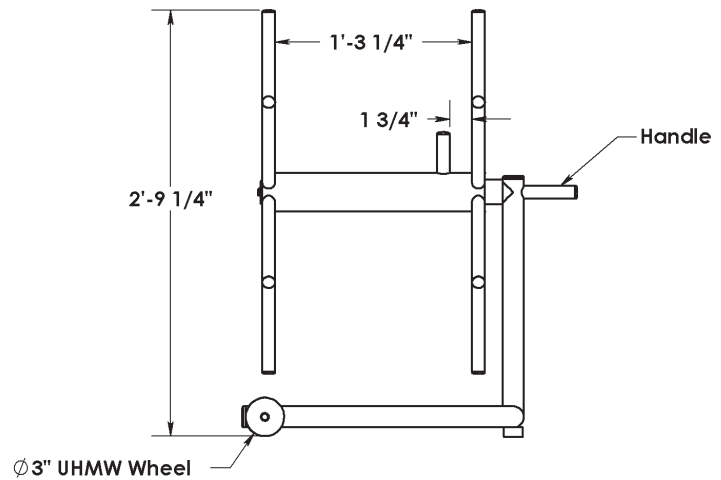


Spectra-Clean™ Series Model - Hose Caddy



- Made from 300 series stainless steel
 - Dual passivated for maximum corrosion resistance
- Holds 50' of vacuum hose (1 1/2" or 2" diameter)
- 3" polyethylene wheels for ease of portability
- Two year limited warranty



7100 Spectrum Lane
Missoula, Montana 59808
406.542.9781 800.791.8056
Fax: 406.542.1158
www.spectrumproducts.com

Spectra-Clean™ Series Model - Hose Caddy
Catalog No: 12500

Literature No: SA 12500.1106