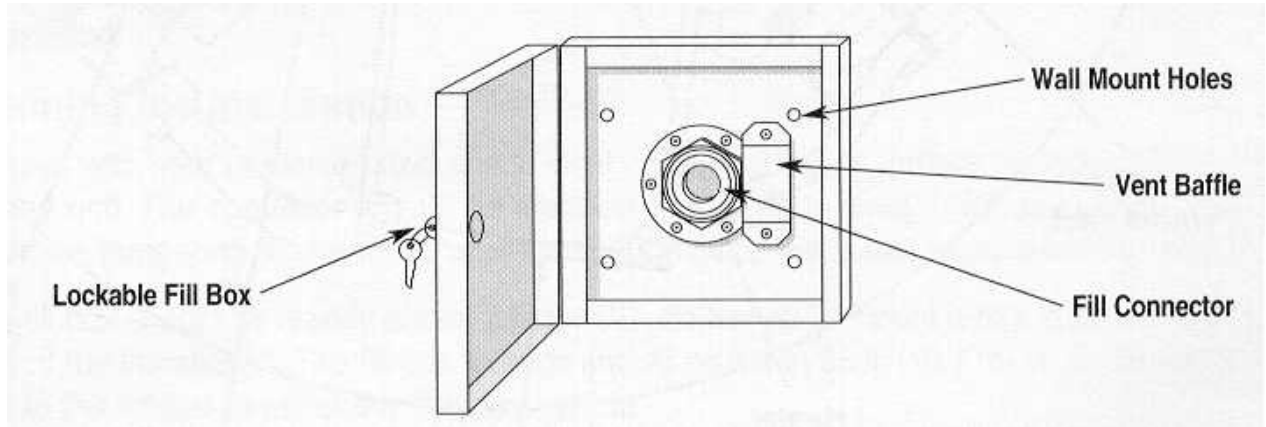


Taylor Wharton TCM-600, 600 lb. Cryogenic Carbon Dioxide Storage Tank Surface Mount Fill Box



Dimensions: 6" wide x 6" height x 2" deep